

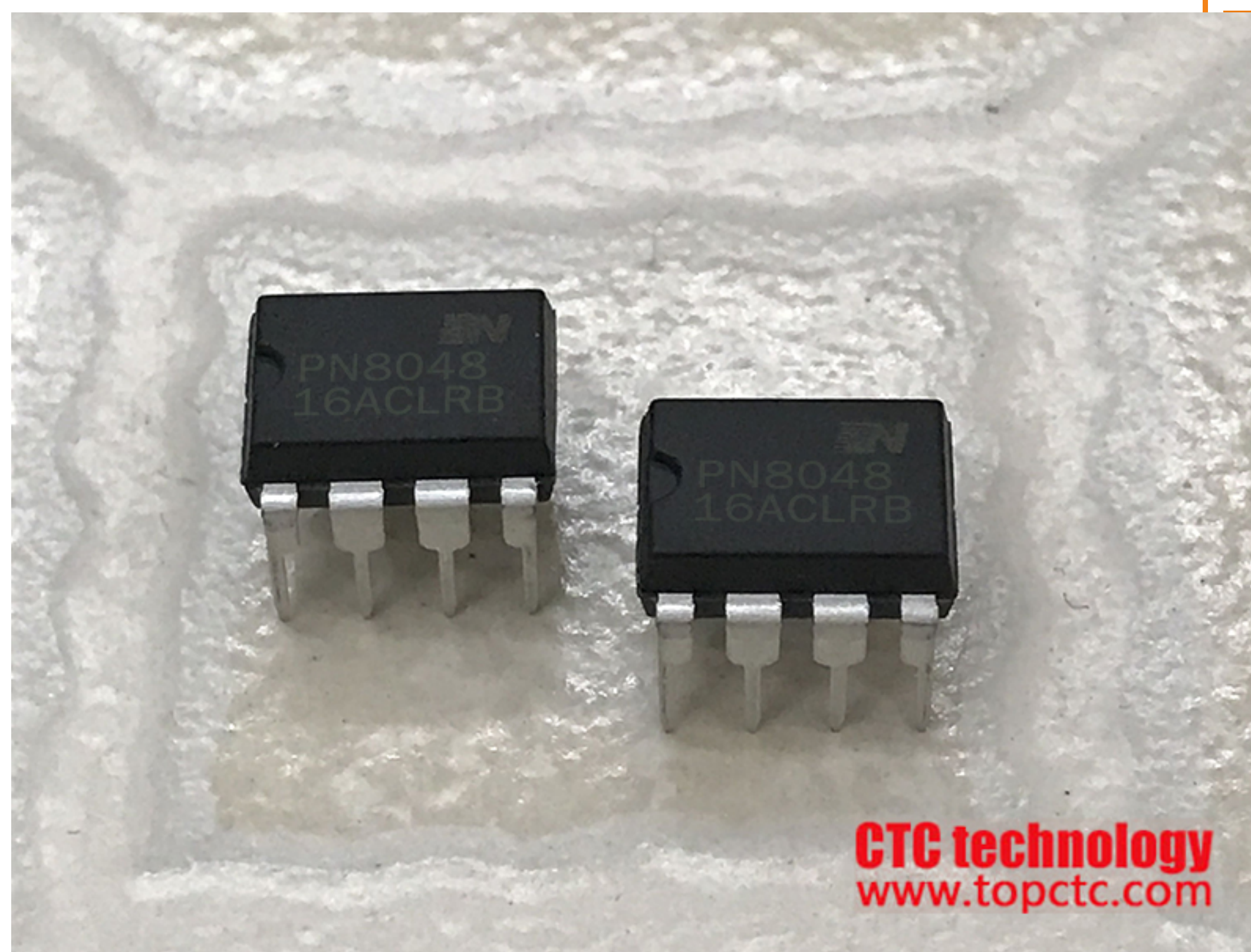


在线咨询
ONLINE CONSULTATION

留言板

PRODUCT HTTP://TOPCTC.COM

Location: Home -> Products -> LED driver IC -> Non-isolate driver IC for LED -> High Performance Non-isolated PFM converters--PN8048



CTC technology
www.topctc.com

PRODUCT LIST

LED driver IC

Non-isolate driver IC for LED
Isolate driver IC for LED
Near constant driver IC

Switching power supply IC

Adapter&Charger Power control
Household Power control IC
USB DVC Power manager IC
Power Bank manager IC

Power Discrete Device

MOSFET
Hotkey / Diode
SOLMOS /HV MOSFET

Motor Half-Bridge Drive

MCU IGBT

MCU IGBT (Tontek Brand)

Charger & Adaptor

DC mobile phone charger
Car charger
DC Adaptor
Wireless Charger Solution

FREE HOTLINE
86-400-788-7770

Live Chat

QQ advice
E-mail
Skype
Online Service

[View Original] [BACK]

High Performance Non-isolated PFM converters--PN8048

一、General Description

The PN8048 consists of an integrated Pulse Frequency Modulator (PFM) controller and power MOSFET, specifically designed for small power non-isolated switching power supply. PN8048 has internal high voltage start-up circuit and complete intelligent protections including Over Load Protection (OLP), Under Voltage Lockout (UVLO) and Over Temperature Protection (OTP). Excellent EMI performance could be achieved with Pulse Frequency Modulation.

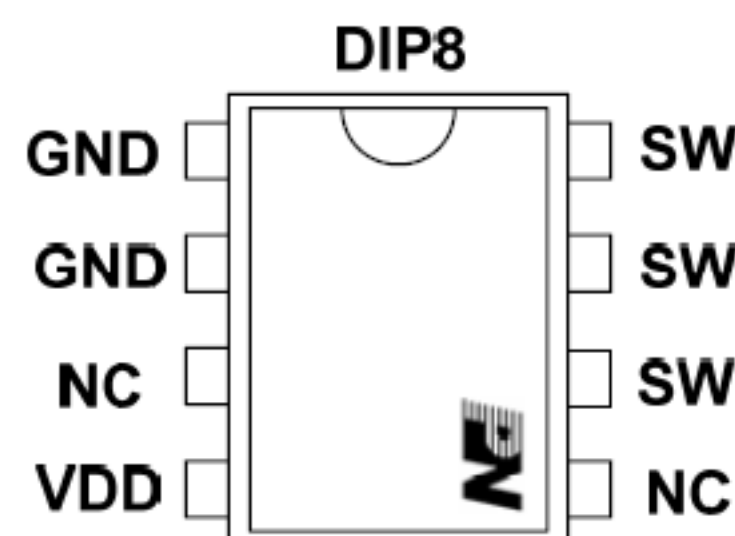
二、Features

- Internal 650V avalanche-rugged smart power VDMOSFET
- Internal HV Start-up Circuit
- Be optimized with 18V output non-isolated application
- Semi enclosed steady output power 10.8W @230VAC, DIP-8
- Frequency modulation for low EMI
- Excellent constant voltage regulation and High efficiency
- Excellent Protection Coverage:

三、Applications

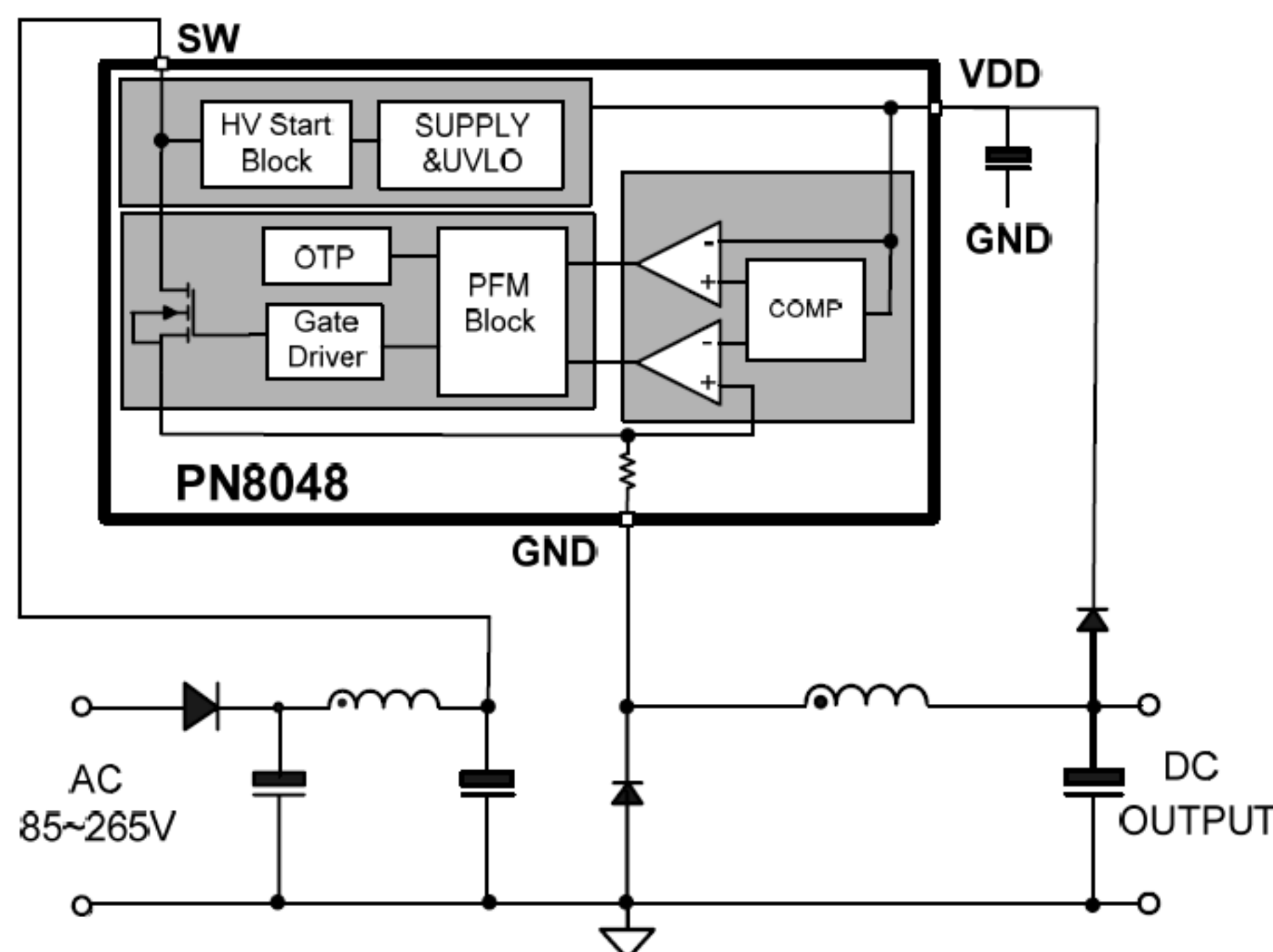
Non isolated auxiliary power supply

四、Package/Order Information



订购代码	封装
PN8048NEC-T1	DIP-8

五、Typical Circuit



Contact CTC Technology

FREE HOT LINE:+86-400-788-7770

Tel:+86-769-81150556 Mob:+86-18929103949 Ms Tang

Tel: +86-769-85638990 Mob:+86-18923224605 Ms Ye

Email: ye shaoqin@ctc-semi.com QQ:2485843216

Fax:+86-769-83351643

Head office: No.8, Yanhe East Street, Ailingkan Village, Dalingshan Town, Dongguan City, Guangdong Province, China
Foshan office: No.169 Rongqi Road,Ronggui Village,Shunde District,Foshan City,Guangdong Province,China
Shenzhen office:Baifuhui Industrial Park,Jianshedonglu Road,Longhua District,Shenzhen City,Guangdong Province,China
Zhongshan office:Shijiahaoting,Longchang Road,Dongsheng Village,Zhongshan City,Guangdong Province,China
Hangzhou office:Jiangnanmoka,Wenyan Village,Xiaoshan District,Hangzhou City,Zhejiang Province,China

Office Website: www.topctc.com

LINKS

Application to join >>

Quick navigation

Small watts switching power supply IC

About us Products Partner Problems Information



CTC Technology Co.,Ltd All rights reserved. E-MAIL : jdm01@ctc-semi.com
Head office:No.8,Yanhe East Street, Ailingkan Village, Dalingshan Town, Dongguan City, Guangdong Province, China
Tel:+86-769-81150556 Mob:+86-18929103949 Ms TangTel: +86-769-85638990 Mob:+86-13725767930 Ms Zhao
Shenzhen office:Baifuhui Industrial Park,Jianshedonglu Road,Longhua District,Shenzhen City,Guangdong Province,China
Foshan office: No.169 Rongqi Road,Ronggui Village,Shunde District,Foshan City,Guangdong Province,China
Zhongshan office:Shijiahaoting,Longchang Road,Dongsheng Village,Zhongshan City,Guangdong Province,China
Hangzhou office:Jiangnanmoka,Wenyan Village,Xiaoshan District,Hangzhou City,Zhejiang Province,China[Background management]
粤ICP备14015592号【Baidu statistics】